

PR350H



Production of High Quality Dry Ice Pellets



Technical Data

Dimensions mm/in:

Length: 1500 / 59
Width: 1000 / 39
Height: 1800 / 71
Height: 1870 / 74 (incl. ext. legs)

Weight:

kg: 1551 / lbs: 3419

Rated Output:

kg/h: up to 350
lbs/h: up to 772
of high-quality dry ice pellets, depending on the extruder plate applied

Pellet Size Diameter:

mm: 3 - 10 or 16
in: 0.11 - 0.39 or 0.62

Inlet Liquid CO₂ Pressure:

bar: 16 - 22
psi: 232 - 319

Back Pressure on Revert Gas:

bar: 0 - 1
psi: 0 - 14.5

CE Power Supply:

3 x 400 V AC + PE, 50Hz,
Imax. 32 A

UL Power Supply:

3 x 480 V AC + PE, 60Hz,
Imax. 32 A

Rated Power:

kW: 5.5
Hp: 7.4

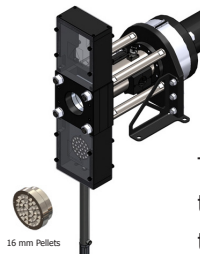
Compressed Air / CO₂ Gas Pressure:

bar: 8 - 10
psi: 116 - 145

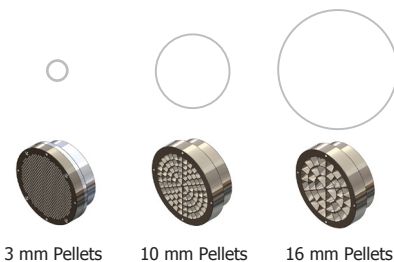
Air Quality:

Class 3 - according to ISO 8573-1

Noise Level Below 75 dB(A)



The IceMaker PR350H can produce two sizes of pellets without changing the extruder plates.



3 mm Pellets

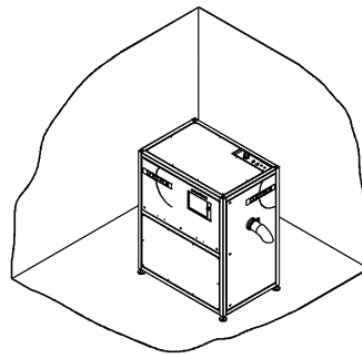
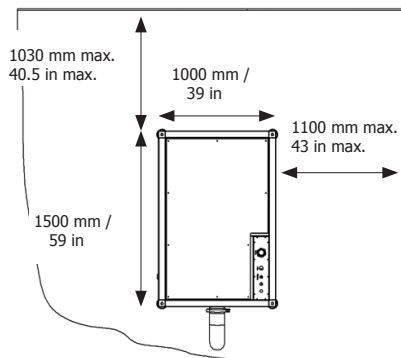
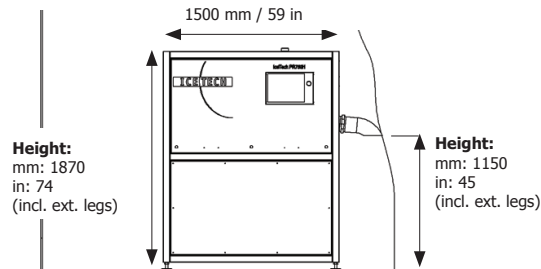
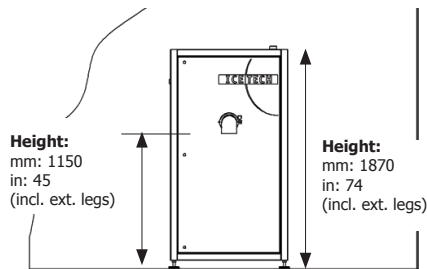
10 mm Pellets

16 mm Pellets

PR350H



Production of High Quality Dry Ice Pellets



Floor Characteristics and Minimum Clearance Distances

- o The pelletizer must be placed on a horizontal concrete floor with an adequate load-carrying capacity. The pelletizer will be anchored to the floor, which must be free of cracks and structural deficiencies.
- o The minimum clearance distances must be observed to provide sufficient space for opening the cabinet doors and servicing the pelletizer.

Installation

The installation of the pelletizer must be carried out by one of Cold Jet's service technicians, or by a technician approved by Cold Jet.

If the IceMaker PR350H is connected to your LAN or Internet, the entire display can be transferred to the computer desktop of your choice – anywhere in the world.

This allows online support by using diagnostic software on the panel PC.

